

Tyro Pyxis/Auriga 2, 4, 6 or 8 fold wireless remote control

Manual 433 MHz

Pyxis transmitter and Auriga receiver

Number of functions: 2, 4, 6 or 8, ON/OFF.

Button functions

To activate the Pyxis transmitter: press and hold the "I" button for a second.

To deactivate the Pyxis transmitter: press and hold the "O" button for a second.

Mounting

To optimize the range of the Pyxis transmitter, it is recommended to place the antenna of the Auriga receiver as high as possible and free from any metal objects. After connecting and mounting it is recommended to test the device before connecting the main powersource. Cable scheme is as follows:

Pyxis transmitter 2 fold			Auriga receiver 3R PLC	
Button	Relays	Inputs	Relays input	Relays output
"O"	1 deactivated		C 1	Q 1
"I"	1 activated	I1	C 1	Q 1
1↑	2	I2	C 2	Q 2
2↓	3	I3	C 3	Q 3



Pyxis transmitter 2 fold proportional			Auriga receiver 10R PLC +Analog	
Button	Relays	Inputs	Relays input	Relays output
"O"	1 deactivated		C 1	Q 1
"I"	1 activated	I1	C 1	Q 1
1 ↑	2 +Analog on AO	I2	C 2	Q 2
2 ↓	3 +Analog on AO	I3	C 3	Q 3



Pyxis transmitter 4 fold			Auriga receiver 5R PLC	
Button	Relays	Inputs	Relays input	Relays output
"O"	1 deactivated		C 1	Q 1
"I"	1 activated	I1	C 1	Q 1
1	2	I2	C 2	Q 2
2	3	I3	C 3	Q 3
3	4	I4	C 4	Q 4
4	5	I5	C 5	Q 5



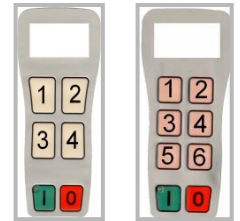
Pyxis transmitter 4 fold proportional			Auriga receiver 10R PLC +Analog	
Button	Relays	Inputs	Relays input	Relays output
"O"	1 deactivated		C 1	Q 1
"I"	1 activated	I1	C 1	Q 1
1↑	2 +Analog on AO	I2	C 2	Q 2
2↓	3 +Analog on AO	I3	C 3	Q 3
3	4	I4	C 4	Q 4
4	5	I5	C 5	Q 5



All deliveries will be will be subject to our general sales conditions, available on demand or through our website. Our products are certified for many applications. When mounting, always take into account the applicable machine directives.

Tyro Pyxis/Auriga 2, 4, 6 or 8 fold wireless remote control

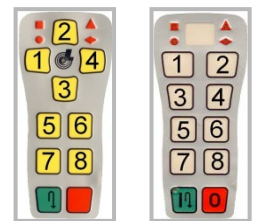
Pyxis transmitter 4 en 6 fold with double funtion button			Auriga receiver 10R PLC	
Button	Relays	Inputs	Relays input	Relays output
"O"	1 deactivated applicable		C 1	Q 1
"I"	1 activated	I1	C 1	Q 1
1	2 and double funtion on 8	I2	C 2 *df on C 8	Q 2 *df on Q 8
2	3 and double funtion on 8	I3	C 3 *df on C 8	Q 3 *df on Q 8
3	4 and double funtion on 9	I4	C 4 *df on C 9	Q 4 *df on Q 9
4	5 and double funtion on 9	I5	C 5 *df on C 9	Q 5 *df on Q 9
5	6 and double funtion on 10	I6	C 6 *df on C 10	Q 6 *df on Q 10
6	7 and double funtion on 10	I7	C 7 *df on C 10	Q 7 *df on Q 10



Buttons 5 and 6 are only active on a 6 fold Pyxis transmitter!

*df = double funtion!

Pyxis transmitter 8 fold			Auriga receiver 10R PLC	
Button	Relays	Inputs	Relays input	Relays output
"O"	1 deactivated		C 1	Q 1
"I"	1 activated	I1	C 1	Q 1
1	2 and 10	I2	C 2 and C 10	Q 2 and C 10
2	3 and 10	I3	C 3 and C 10	Q 3 and C 10
3	4 and 10	I4	C 4 and C 10	Q 4 and C 10
4	5 and 10	I5	C 5 and C 10	Q 5 and C 10
5	6 and 10	I6	C 6 and C 10	Q 6 and C 10
6	7 and 10	I7	C 7 and C 10	Q 7 and C 10
7	8 and 10	I8	C 8 and C 10	Q 8 and C 10
8	9 and 10		C 9 and C 10	Q 9 and C 10



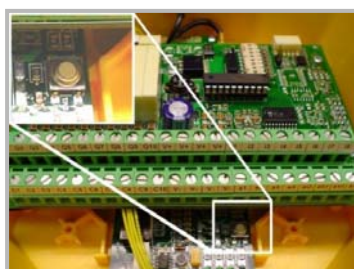
Please note: All systems are already programmed by the manufacturer.

Programming a new or extra Pyxis transmitter into the Auriga receiver

If you wish to program an new or extra Pyxis transmitter into the Auriga receiver, please follow the steps below:

Step	Description
1.	Open the enclosure of the Auriga receiver
2.	You'll see 2 pcb's on the top of each other
3.	Connect the powersource wire on V+ screw terminal on the Auriga receiver (see picture 2)
4.	Connect the ground wire on the V- screw terminal on the Auriga receiver (see picture 2)
5.	On the lower print there is a white button (see picture 1)
6.	Push and and hold this white button (also in the next steps)
7.	Turn on the power of the Auriga receiver again
8.	Turn on the Pyxis transmitter you will hear clicking of the Relays
9.	Now release both buttons, the system is programmed and ready to use
10.	If you wish to program an additional Pyxis transmitter into the Auriga receiver, you have to turn on every Pyxis transmitter <u>after each other</u> at step 8!
11.	To delete all Pyxis transmitters you'll have to release the white button after step 7 without turning on a Pyxis transmitter

Picture 1



Tyro Pyxis/Auriga 2, 4, 6 or 8 fold wireless remote control

Technical specifications 433MHz:

Auriga receiver	
Operation voltage	10-38Vdc
Max. output amps	3A (at 24 Vdc)
IP classification	IP-66
PLC	3, 5 or 10 Relays
Weight	856 gram
Dimensions	160x150x60 mm



Pyxis transmitter	
Max. charging voltage	26Vdc
Min. charging voltage	12Vdc
Battery standby time	± 50 hours
Battery usage time	± 20 hours, ± 7 hours with backlight turned on
Normal charging time	± 8 hours
IP classification	IP65
Range	Up to 100 meters
Weight	192 gram
Dimensions	150x71x31 mm
Frequency	433.92 Mhz



For proper usage of the Pyxis transmitter it has to be charged every day!

How to turn on the backlight:

Turn the Pyxis transmitter off

For the 2, 4 and 6 fold Pyxis transmitter you have to hold buttons 1, 2 and the red "O" button at the same time for half a second.

For the 8 fold Pyxis transmitter you have to hold the buttons 7, 8 and the red "O" button at the same time for half a second.

The backlight is now turned on, if you want to turn it off proceed these steps written above again.

Standard options:

Pyxis transmitter and Auriga receiver.

Rechargeable battery.

Button backlight.

Receiver antenna 433MHz.

Carkit 12V/24V or 230 V adapter.

Maximum 6 Pyxis transmitters to program one Auriga receiver.

Auto sleep after 5 minutes.

Extra options:

Keypad on the Auriga receiver.

Coax extension cable and torque piece, available lengths: 1 meter, 2 meters or 5 meters.

Protective case for the Pyxis transmitter.

PLC with analog functions.

Double function buttons (only available on the 4 and 6 fold remote controls)

Display on the Pyxis transmitter and the Auriga receiver (not available on the 8 fold Pyxis transmitter).

Multiple functions at the same time.

Latch function (bi-stable output contact).



Tyro Pyxis/Auriga 2, 4, 6 or 8 fold wireless remote control I/O board Auriga receiver wiring diagram

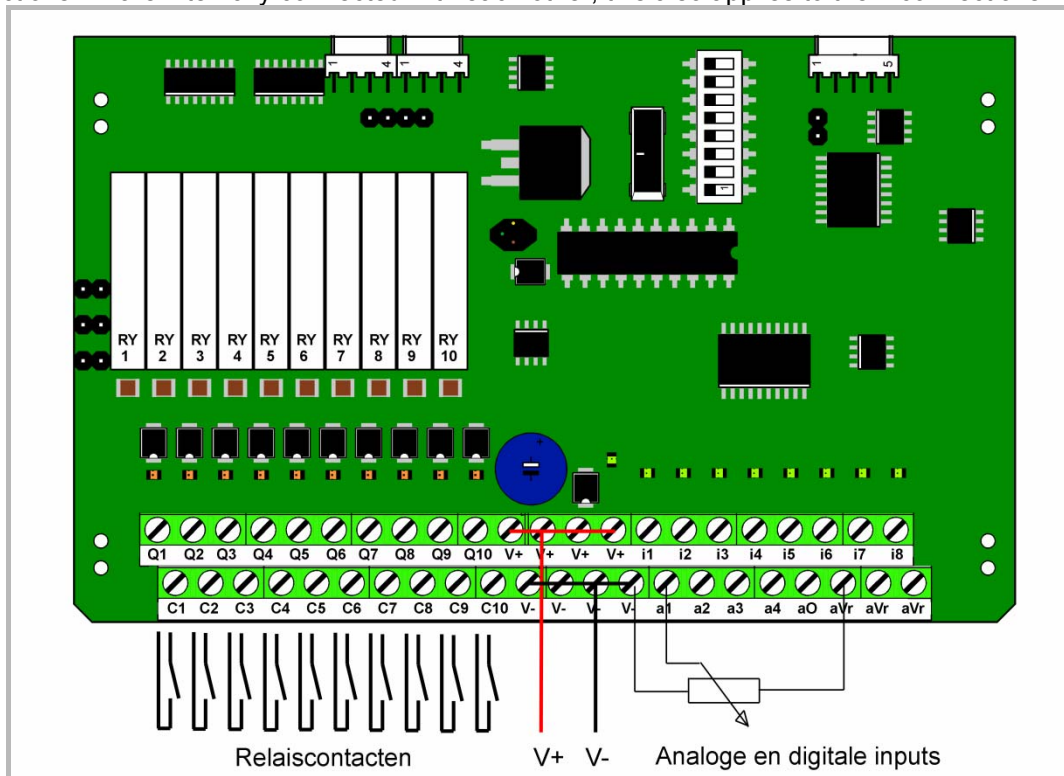
Please note: All systems are already programmed by the manufacturer.

Relays outputs

Depending on the type of the transmitter it is possible there are more or less relays on the PLC. The Relays contacts on the PLC are of the type normally open (NO) and are localized between Q and C of the terminal strip. The contact between Q1 and C1 belongs to Relays 1, Q2 and C2 belongs to Relays 2 and so on. To see how the Relays switches, only the powersource wire (V+) and the ground wire(V-) have to be connected. By pushing a random button you can see which relay is switching because of the orange LED.

Powersource

The positive voltage must be connected to V + and the negative voltage (ground) on V-. The 4 connections V+ are internally connected with each other, this also applies to the 4 connections V-.



Picture 2

Digital inputs

Only if your remote control is programmed for this, it's possible to connect signals to i1 up to i8 for feedback to the Auriga receiver such like an end stop switch. For the functionality of inputs see mounting table.

Analog inputs

Only if your remote control is programmed for this, it's possible to apply analog voltage levels on a1 up to a4 for feedback to the Auriga receiver such like potentiometer for leveling.

This analog voltage level may vary between 0 and 10V.

It can use the reference voltage of 10V present on the aVr connections (20mA max).

The 3 aVr connections are connected with each other.

Analog output

Only if your remote control is programmed for this and is proportional, it is possible to get an analog output voltage on connection aO. This analog voltage may vary between 0 and 10V and is adjustable in 8 steps.