

Tyro Pyxis / Auriga, Corvus / Pavo, Libra / Aquila

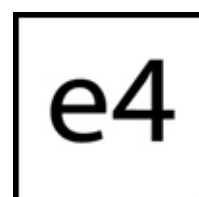
Datasheet 868 MHz



The basic frequency of our remote controls is set at 868MHz. This frequency is only used by

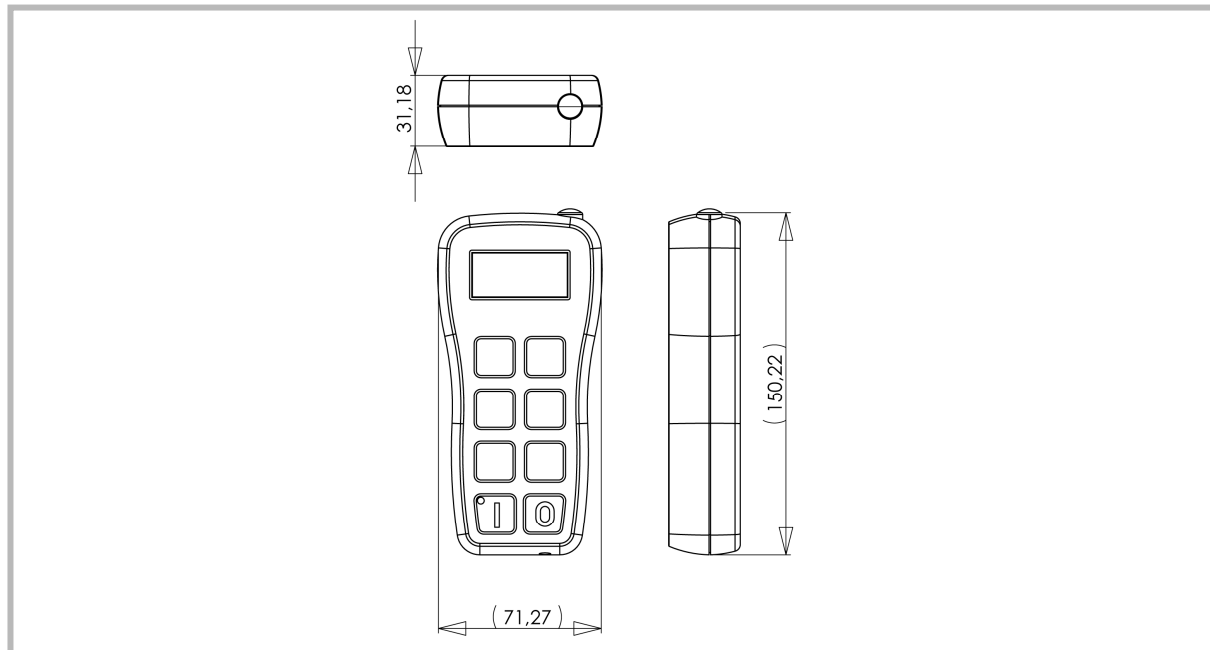
Pyxis transmitter, Auriga receiver	
Simplex	Communication between transmitter and receiver is one way traffic. A display is an option, this way a menu structure will be possible this makes controlling complex applications easier.
Corvus transmitter, Pavo receiver	
Dual	Communication between transmitter and receiver is two way traffic. Feedback to the user will be provided via acoustic and/or light signals from the transmitter.
Libra transmitter, Aquila receiver	
Dual	The communication between transmitter and receiver is two way traffic. Feedback to the user will be provided on the display with for example analogue values, or acoustic signals.

professionals, this means that interference from other systems will be close to none.



Tyro Pyxis / Auriga, Corvus / Pavo, Libra / Aquila

Datasheet 868 MHz



Communication complete system

Frequency	868 MHz (multiple frequencies possible)
Communication / modulation	FM
Transmitting power	< 10 mW
RF sensibility	-100 dB
Reactiontime after pressing a button	< 100 ms
I.D. code	64-bit
Channel distance / hamming distance	200 kHz
Range under normal circumstances	350 meters
Range under normal circumstances RF amplifier	700 meters
Emergency button on transmitter	Complies to CE requirements
Temperature resistance	-30°C / 75°C
Max. number of transmitters per receiver	Standard up to 8, possible > 50

Transmitter enclosure

Weigth	192 gr, with display 202 gr
Resistance to damp and dirt	IP 65
Material	ABS (impact-resistant / 2 metres fall guaranteed)

Transmitter foil

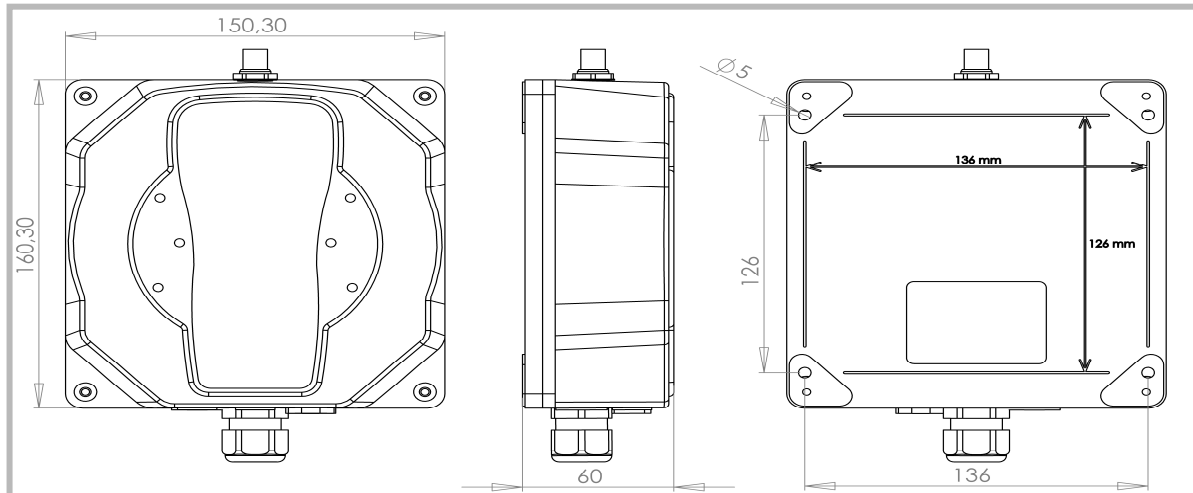
Keyboard backlight / display	Standard
------------------------------	----------

Transmitter powersupply

Powersupply	Battery pack NiMH rechargeable AA 03 1300 mAh
Rechargeable	230V adapter / 24V Carkit
Service time	32 hours continues, ca. 7 hours continues with backlight
Power withdrawal	5 mA

Tyro Pyxis / Auriga, Corvus / Pavo, Libra / Aquila

Datasheet 868 MHz



Receiver enclosure

Weight	856 gram, met display 866 gram
Resistance to damp and dirt	IP 65
Material	ABS (impact-resistant)

Receiver maximum configuration PCB

Number of I/O boards	16
Power	8-38 Vdc (various voltages possible up to 380 Vac)
Type switching unit	Relay
Maximum switching voltage	28 Vac + 40 Vdc (various maximum voltages possible)
Fuse	Fuse by you with 10A short circuit protected
Glands	Standard PG-11 (different sizes possible)

IO board maximum configuration

Seizes (L x B x H)	134 x 84 x 25 mm
Switching unit	Relay, potential free contacts
Peak voltage protection	Present on every relays
Number of switching units	10
Maximum load	3A (Larger currents possible)
Communication with receiver PCB	I ² C
Communication with other I/O-boards	I ² C

Digital inputs

Number of digital inputs	8 max per PLC
Maximum load	38V
Low detection	< 4V
High detection	> 6V
Dipswiches on PCB	8

Analogue inputs

Number of analogue inputs	4
Voltage Range	0-10V / 4-20 mA
Accuracy	8-bit (optional 12-bit)

Analogue output

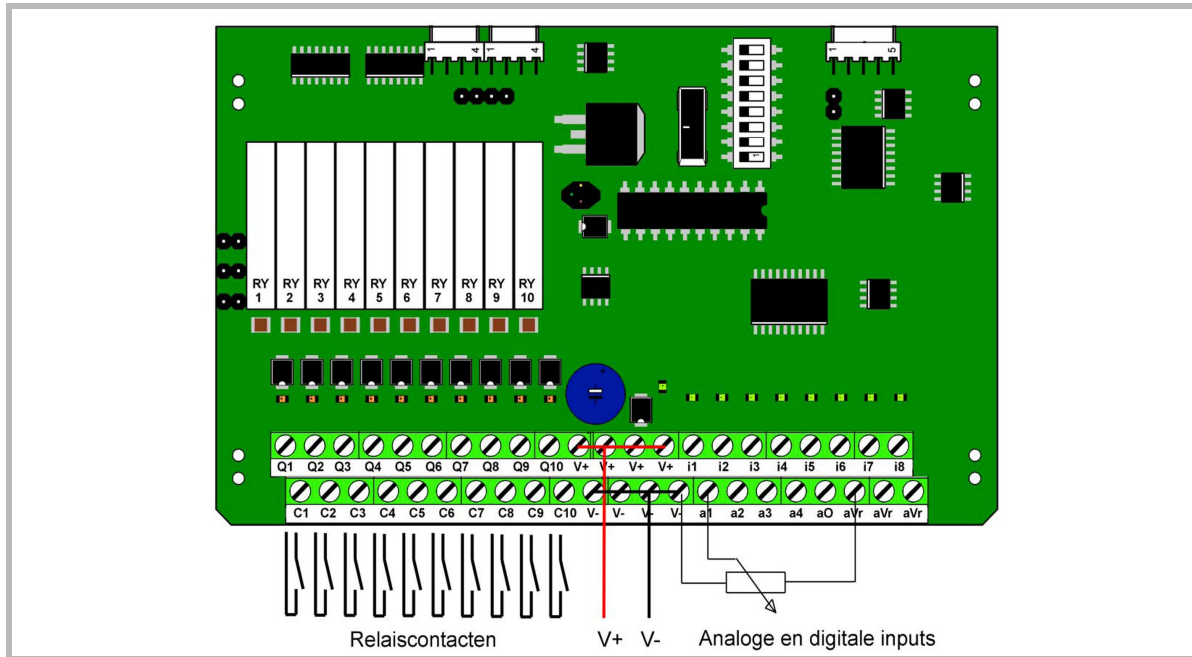
Number of analogue outputs	1 per PLC
Voltage Range	0-10V
Accuracy	8-bit

Safety

Maximum safety category	Category 3 & 4 EN 954-1 / ISO 13849-1
-------------------------	---------------------------------------

Tyro Pyxis / Auriga, Corvus / Pavo, Libra / Aquila

Datasheet 868 MHz



Optional functions

Double function (stacked keys)	Possible with 4, 6-fold foil
Twohandoperation	Various key-combinations possible
Key hold down function	Possible on every output
Power save mode	Automatic deactivation of transmitter and receiver Standard: after 5 minutes of not using the keys Optional: after 10, 15 minutes or any other interval
Own icons / text on keys	Possible with the 4-, 6-, 8-fold foil
Display	Display (4 lines x 16 characters) (32 x 97 pixels) (black/white)
Max. number of functions	Menustructure is possible to provide more functions per remote.
Corporate logo whilst starting up	Possible
Several languages can chosen to customer choice	Text on display in various languages. Activated by a hidden menu.
Emergency stop on transmitter	Hard emergency stop possible
Out of range protection	Possible
Other supply voltages	Possible
Other switching voltages	Possible

After consideration not mentioned standard options could be realised!

Optional modules

RS-232	
RS-485	
CAN-bus	